

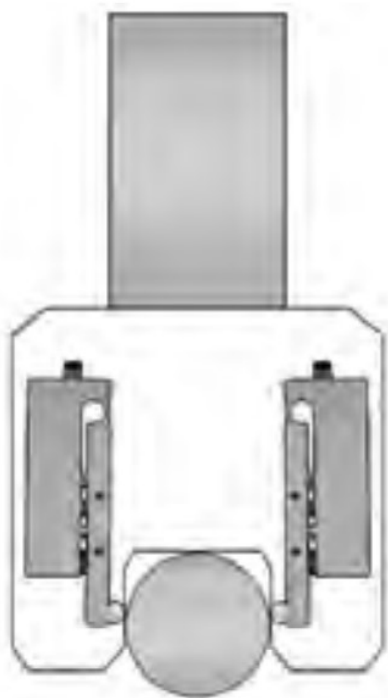
## **AUS SINGLE LEAF FLEXURE**

With the same advantages as the parallel flexure, the Single Leaf Flexure offers the gauge builder access to even more measurement points. With careful use of extension arms, measurements can be made inside slots or between features, where a conventional pencil probe cannot reach.



### **KEY FEATURES**

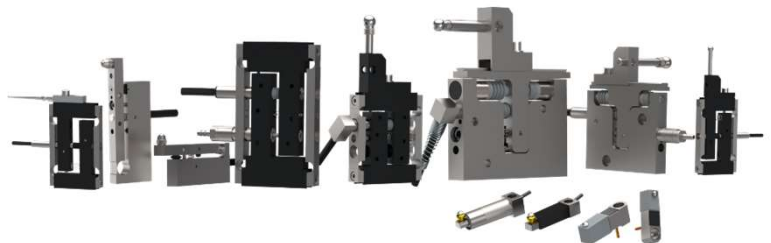
- ±0.25 mm measuring range
- Normal or reverse actions
- IP65 Sealing
- Spring actuation



*Use Single Leaf Flexures to check Rod Diameter*



*Single Leaf Flexures in a "Reverse Spring" application*



*The Single Leaf Flexure is part of a family of specialized Solartron probes.*

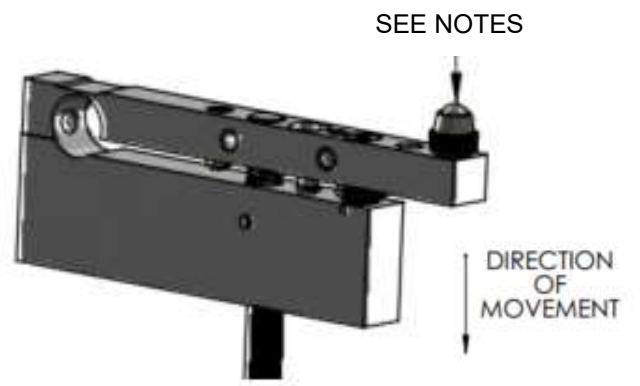
**REAL PRECISION. REAL SOLUTIONS.**

[www.solartronmetrology.com](http://www.solartronmetrology.com) • [sales.solartronmetrology@ametec.com](mailto:sales.solartronmetrology@ametec.com)

## CONFIGURATIONS



Side Exit for Cable (Standard) - AUS

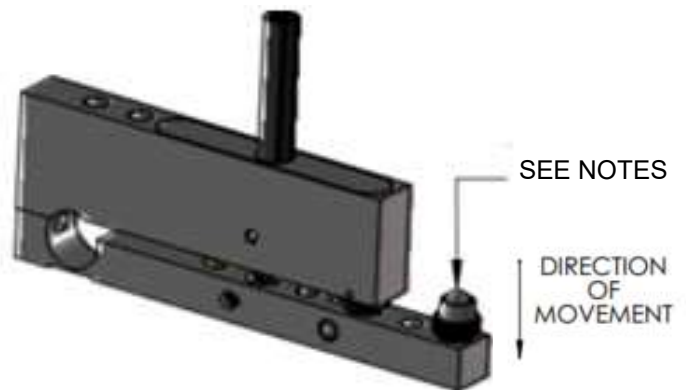


Bottom Exit for Cable - AUSB

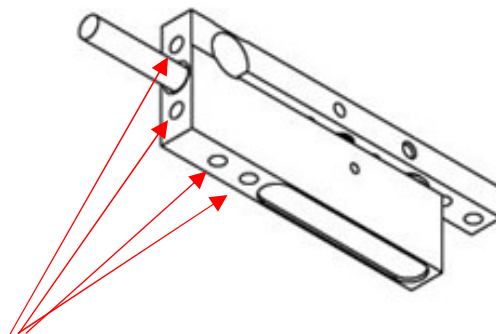
## Reverse Operation



Side Exit for Cable - AUSR



Bottom Exit for Cable - AUSB/R

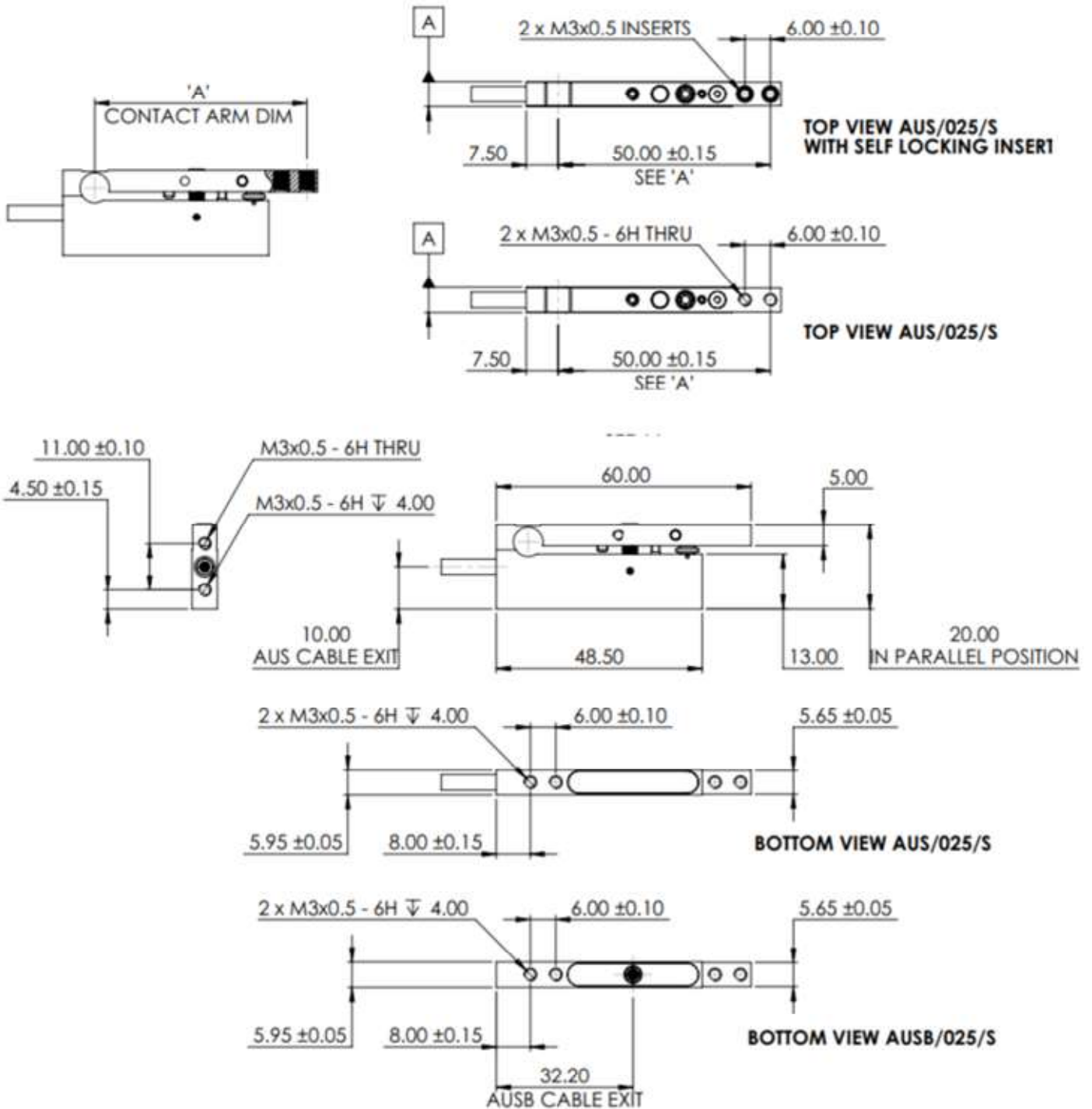


M3x0.5 Threaded Mounting holes on both bottom and end of Flexure

## SPECIFICATIONS

AUS/0.25/S	
Single Leaf Flexure Element	
Frame width (mm)	6
Coil Configuration	LVDT
Measurement Range (mm)	±0.25
Outward Travel from Mid Range	290/270 µm
Inward Travel from Mid Range	300/350 µm
Linearity (% of FRO)	±1.5 µm
Maximum Repeatability (µm)	< 0.1
Sensitivity	196 mV/V/m +5% at 7.5 KHz / 1 MΩ Load
Energising Current	2.2 mA/V @ 7.5 KHz
Tip Force (N) @ Mid Stroke +25%	1.25 N
Environmental Protection	IP65
Life (dependant on application)	20 million cycles typical.
Temperature Range (°C)	
Storage	-20 to +70
Probe Operating	+5 to +65
Materials	
Case	Steel
Gaiter	High grade polymer
Cable	2m PUR

# DRAWING



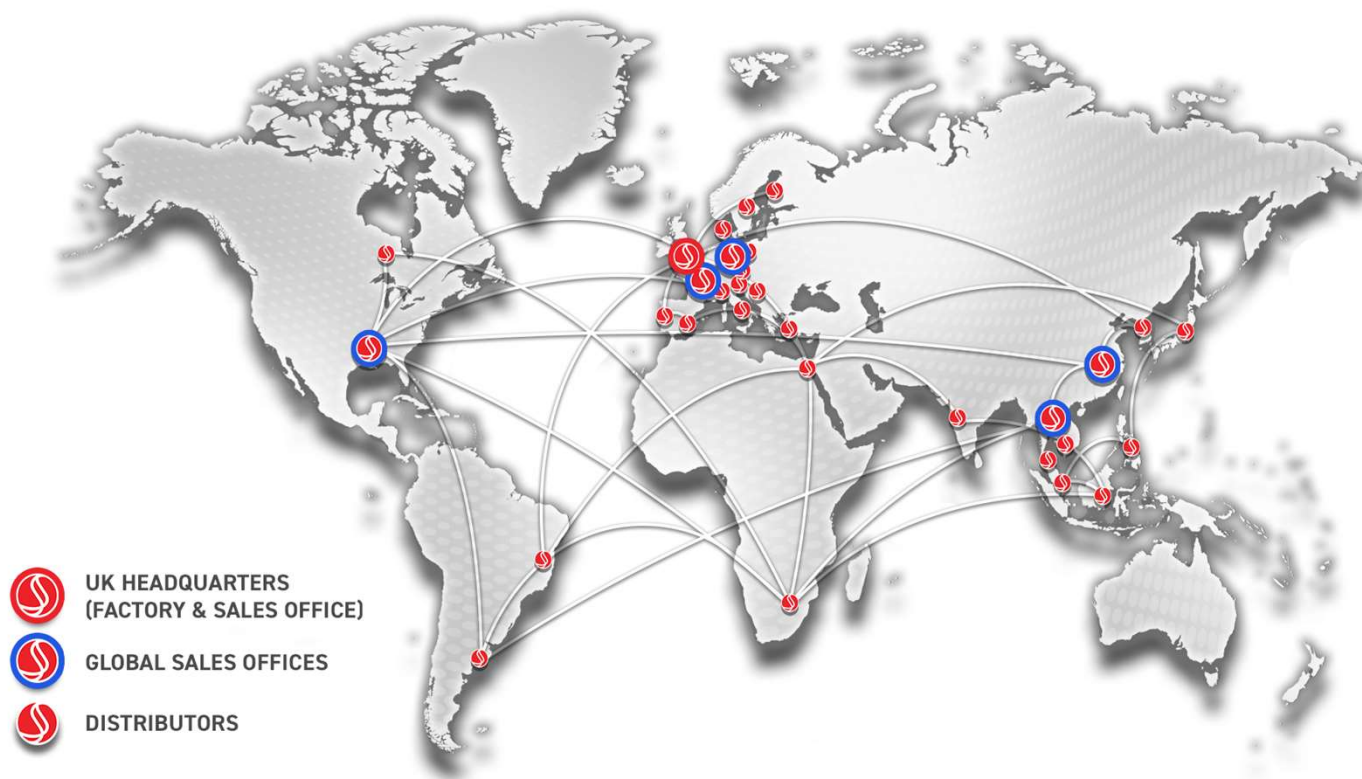
**NOTES:-**

1. PRODUCT DESIGNATION :
  - AUS/025/S - SINGLE LEAF FLEXURE WITH STANDARD (COMPRESSED) SPRING,  $\pm 0.25\text{mm}$  CALIBRATION STROKE.
  - AUS/025/R - SINGLE LEAF FLEXURE WITH REVERSED (TENSION) SPRING,  $\pm 0.25\text{mm}$  CALIBRATION STROKE.
  - AUSB - SINGLE LEAF FLEXURE WITH CABLE EXIT BOTTOM.
2. BALL TIP SHOWN FOR REFERENCE PURPOSE ONLY.
3. ALL MOUNTING HOLES ARE  $\boxed{\text{0.05 A}}$ .

*NOTE: Solartron pursues a policy of continuous development. Specifications in this document may therefore be changed without notice.*



## Worldwide Sales Offices



 **UK HEADQUARTERS  
(FACTORY & SALES OFFICE)**

 **GLOBAL SALES OFFICES**

 **DISTRIBUTORS**

### UK Head Office and Factory

Solartron Metrology  
Steyning Way  
Bognor Regis  
West Sussex  
UK, PO22 9ST  
Tel: +44 (0) 1243 833333  
Email: [sales.solartronmetrology@ametek.com](mailto:sales.solartronmetrology@ametek.com)

### France

Ametek SAS  
Solartron Metrology Division  
Rond point de l'épine des champs  
Buroplus Bat D  
Elancourt  
78990  
France  
Tel: +33 (0) 1 30 68 89 50  
Email: [Info.solartronmetrology@ametek.fr](mailto:Info.solartronmetrology@ametek.fr)

### Germany

Ametek GmbH  
Solartron Metrology Division  
Rudolf-Diesel-Strasse 16  
40670 Meerbusch  
Tel: +49 (0) 2159 9136 500  
Email: [vertrieb.solartron@ametek.com](mailto:vertrieb.solartron@ametek.com)

### China

Ametek Commercial Enterprise (Shanghai) Co., Ltd  
Part A1, A4 2nd Floor  
Building No 1, No 526 Fute  
3rd Road East  
Shanghai  
Pilot Free Trade Zone  
200131  
China  
Tel: +86 21 5763 2509  
Email: [china.solartronmetrology@ametek.com](mailto:china.solartronmetrology@ametek.com)

### USA

Solartron Metrology  
915 N. New Hope Road, Suite C  
Gastonia, NC 28054  
Tel: +1 800 873 5838  
Email: [usasales.solartronmetrology@ametek.com](mailto:usasales.solartronmetrology@ametek.com)

### Japan

Ametek -Japan  
Solartron Metrology Division  
Tokyo Office  
Shiba NBF Tower (1F, 3F)  
1-1-30, Shiba Diamon Minato-Ku, Tokyo, Japan  
(P.C.105-0012)  
Email: [hidena.tanaka@ametek.com](mailto:hidena.tanaka@ametek.com)

### Thailand

Ametek (Thailand)  
Solartron Metrology Division  
B4.1.1 – B4.1.3 Floor 1st, SUMMER Lasalle  
846 La Salle Rd., Bangna Tai, Bang Na  
Bangkok, 10260, Thailand  
Tel: +66 2 012 7500  
Mobile: +66 92 087 9222  
Email: [hidena.tanaka@ametek.com](mailto:hidena.tanaka@ametek.com)

Solartron Metrology also carries an extensive network of sales agents in all major countries. For a local contact, go to [www.solartronmetrology.com/contact](http://www.solartronmetrology.com/contact) or email at [sales.solartronmetrology@ametek.com](mailto:sales.solartronmetrology@ametek.com)